

The following manual is only a guide to assist you and is not a complete or comprehensive manual of all aspects of maintaining and repairing your bicycle. The bicycle you have purchased is a complex object. **Hyper Bicycles** recommends that you consult a bicycle specialist if you have doubts or concerns as to your experience or ability to properly assemble, repair, or maintain your bicycle. You will save time and the inconvenience of having to go back to the store if you choose to write or call us concerning missing parts, service questions, operating advice, and/or assembly questions.



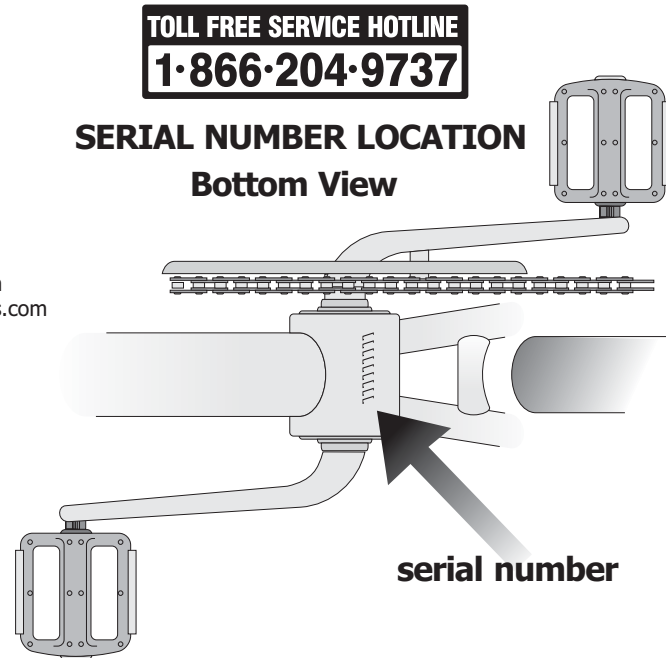
177 Malaga Park Dr.
 Malaga, NJ 08328
Call Toll Free
1-866-204-9737
Local 417-206-0563
Fax: 775-248-5155
 Monday-Friday 8:00AM to 5:00PM (CST)

For product related questions email us at: info@hyperbicycles.com
 For customer service questions email us at: service@hyperbicycles.com

IMPORTANT NOTICE

WRITE YOUR SERIAL NUMBER HERE

Keep your serial number handy in case of damage, loss or theft.



PURCHASE RECORD CARD

IMPORTANT NOTICE

- ⚠ **Fill in immediately and send in as a record of your purchase.**
- ⚠ **Record Serial Number and retain in designated spot in front of this Manual.**

Owner's Name: _____

Address: _____

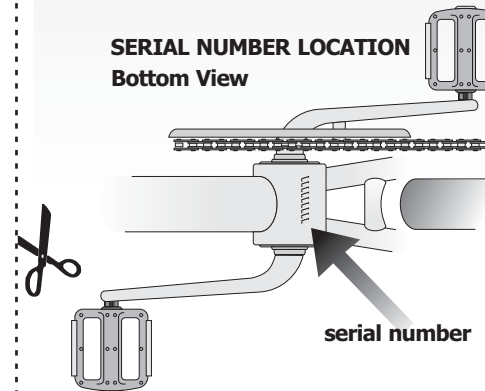
Date Purchased: _____ **Place of Purchase:** _____

Model Name: _____

Wheel Size: _____ **Color:** _____

Serial Number: _____

(ALSO RECORD AND RETAIN SERIAL NUMBER IN DESIGNATED SPOT IN FRONT OF THIS MANUAL)



VISIT US ONLINE@
www.hyperbicycles.com

177 Malaga Park Dr.
 Malaga, NJ 08328
Call Toll Free
1-866-204-9737
Local 417-206-0563
Fax: 775-248-5155
 Monday-Friday 8:00AM to 5:00PM (CST)

For product related questions email us at:
info@hyperbicycles.com
 For customer service questions email us at:
service@hyperbicycles.com